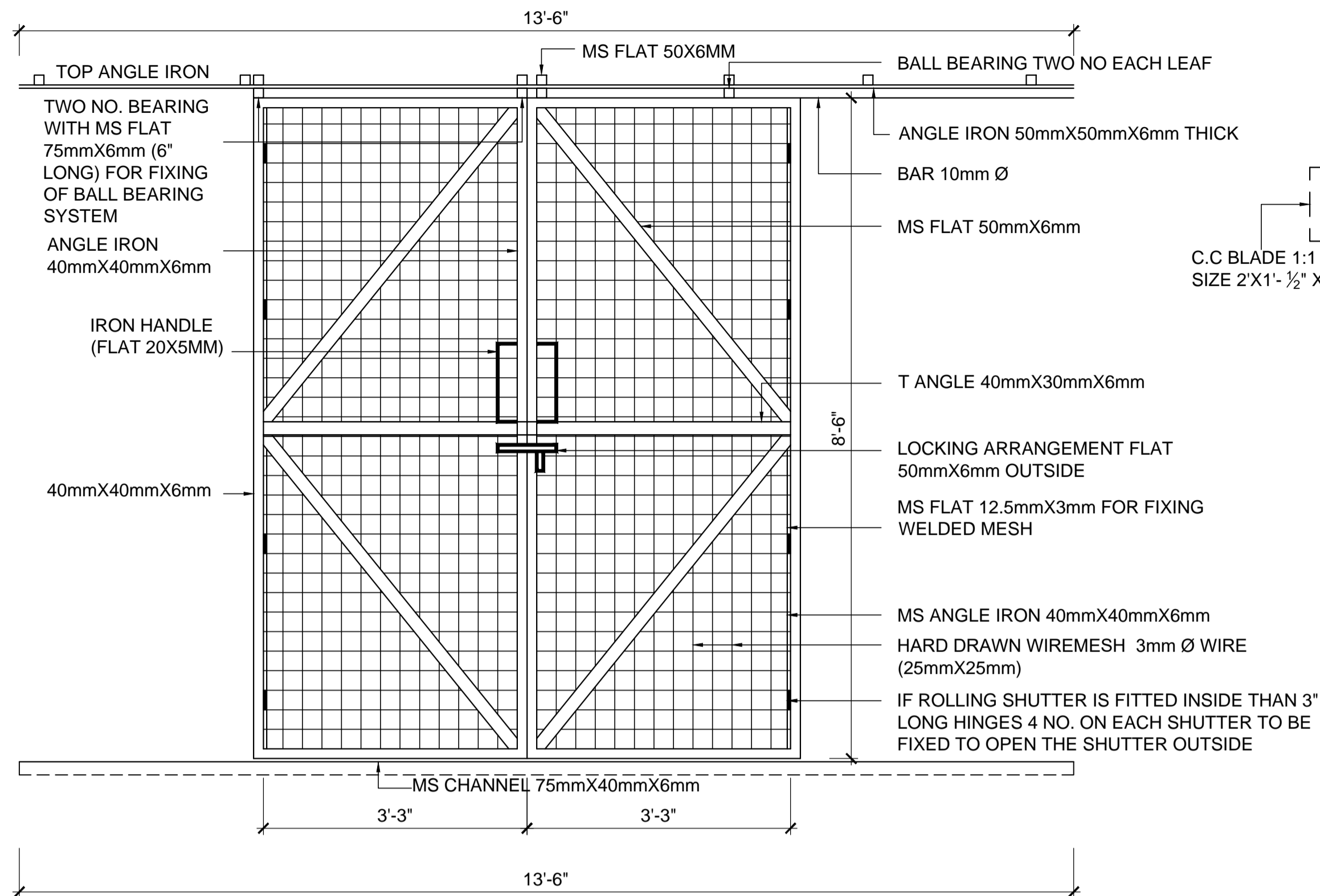
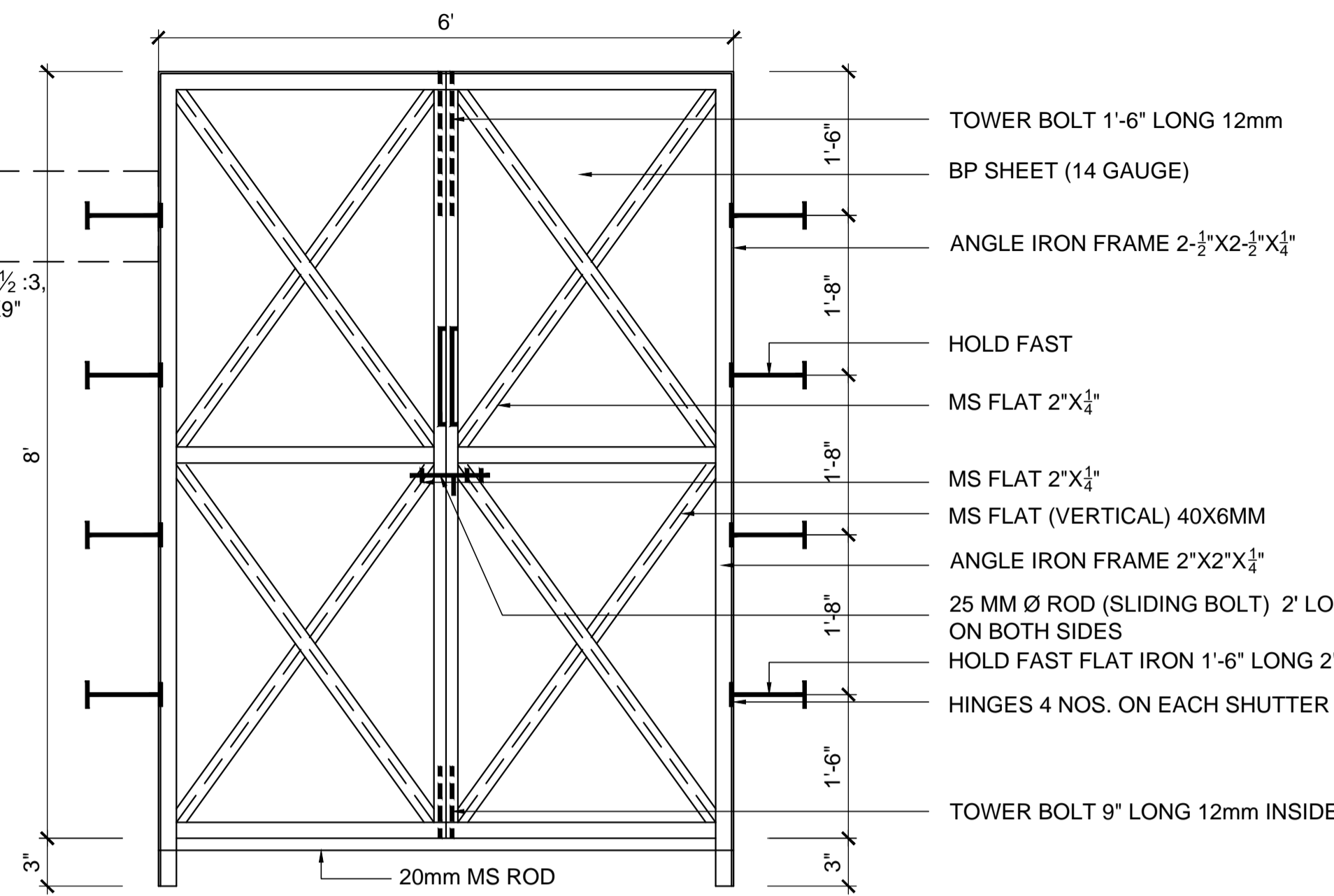


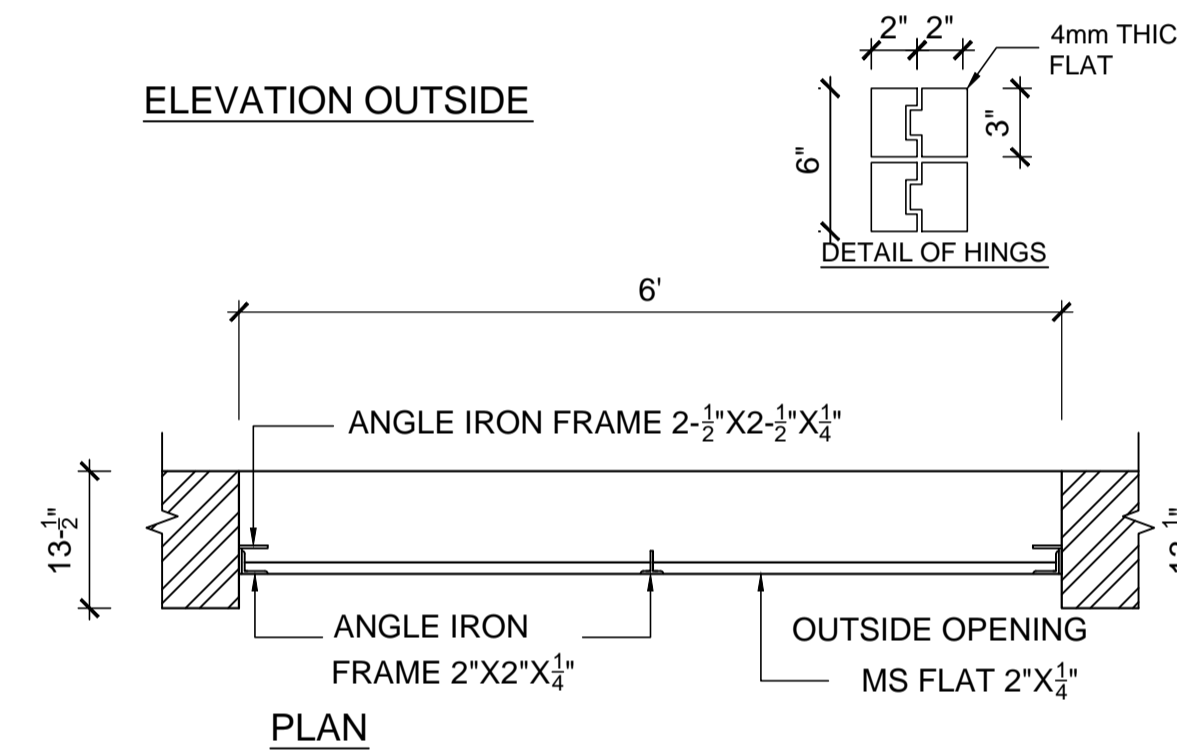
REVISED DRAWING FOR STEEL GATE  
DETAIL OF STEEL GATE 6'X8'



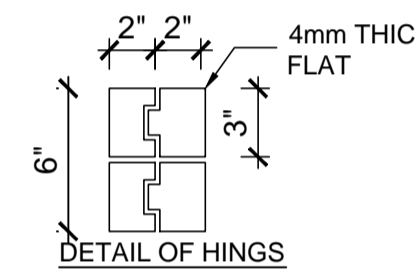
WIREMESH DOOR VIEW



ELEVATION OUTSIDE

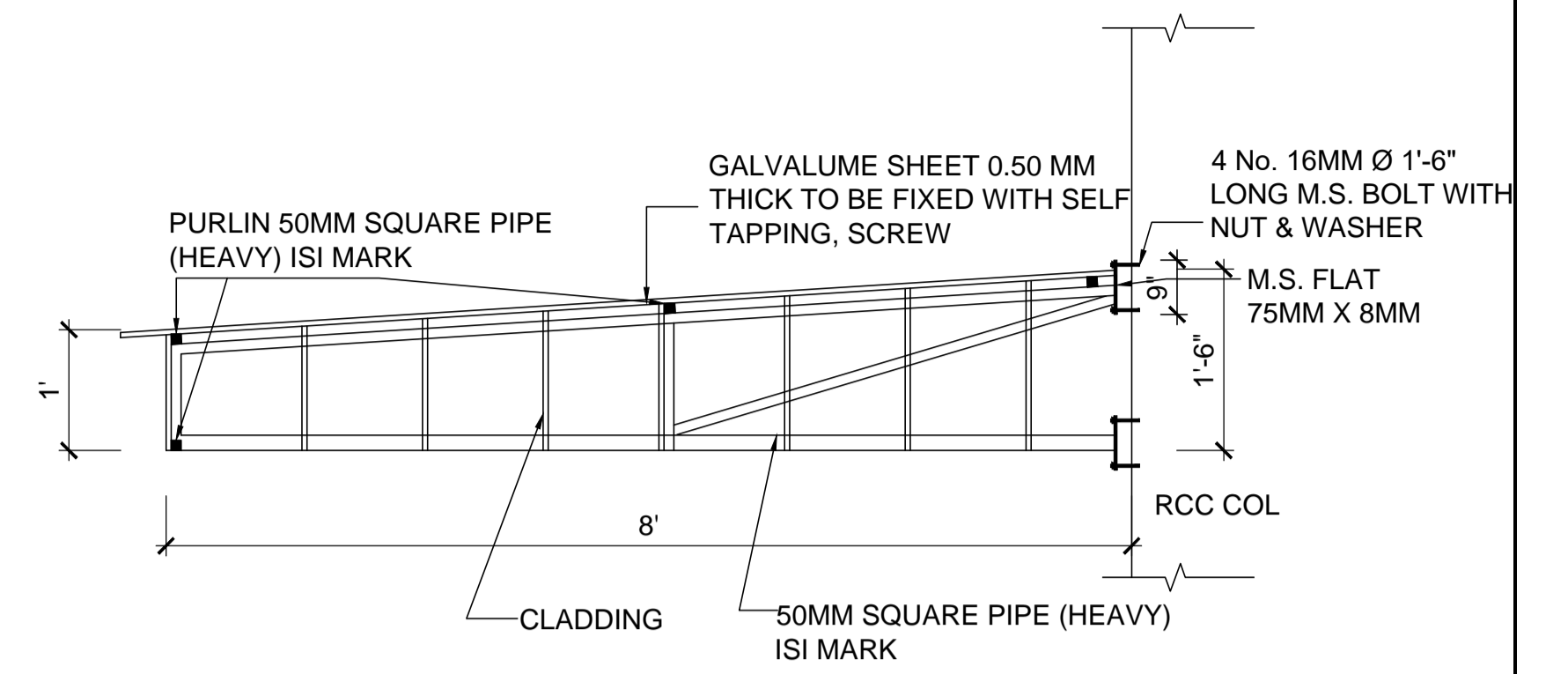


PLAN

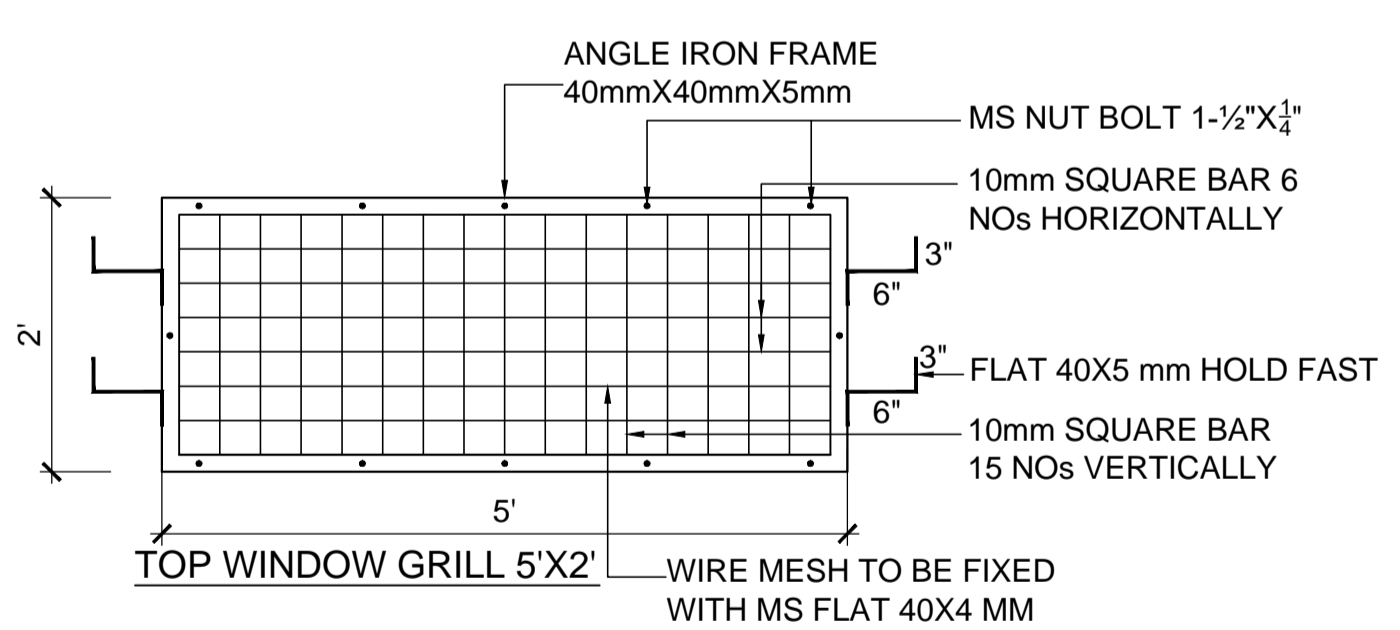


DETAIL OF HINGES

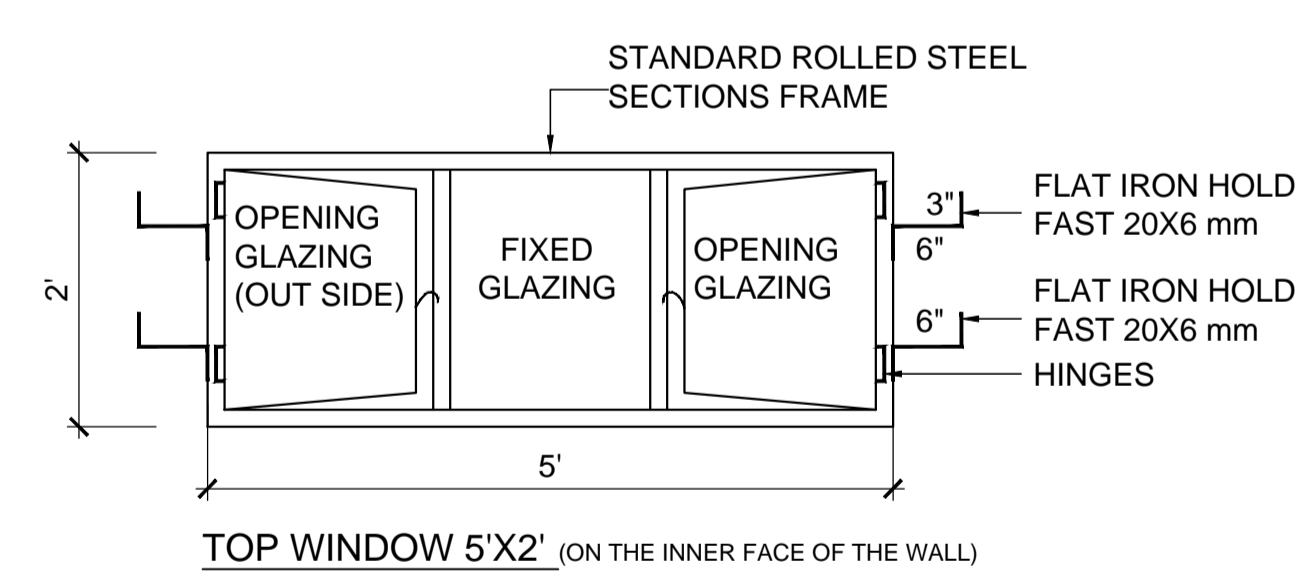
- | S.No | NOTES  |
|------|--|
| 1.   | MS FLAT WILL BE FIXED OVER B.P. SHEET WITH ELECTRIC WELDING FROM BOTH SIDES ON ENTIRE LENGTH |
| 2.   | NO ANGLE IRON CUT PIECE WILL BE USED IN ANGLE IRON FRAME AND CHOWKHAT                        |
| 3.   | FOUR NOS IRON HINGE HAND MADE 6" LONG WILL BE PROVIDED ON EACH SIDE AS SHOWN IN DRG.         |



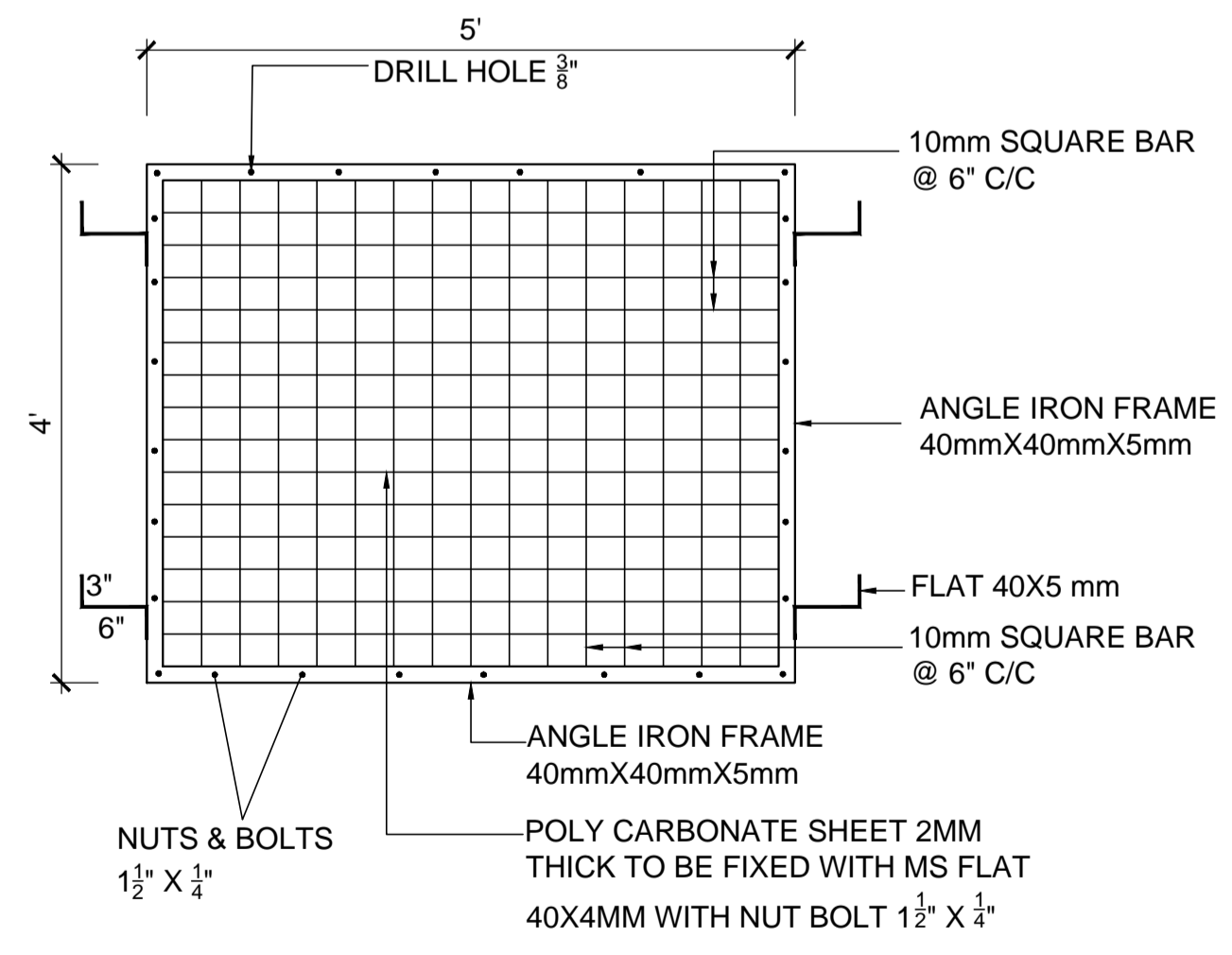
SIDE VIEW OF VERANDAH TRUSS



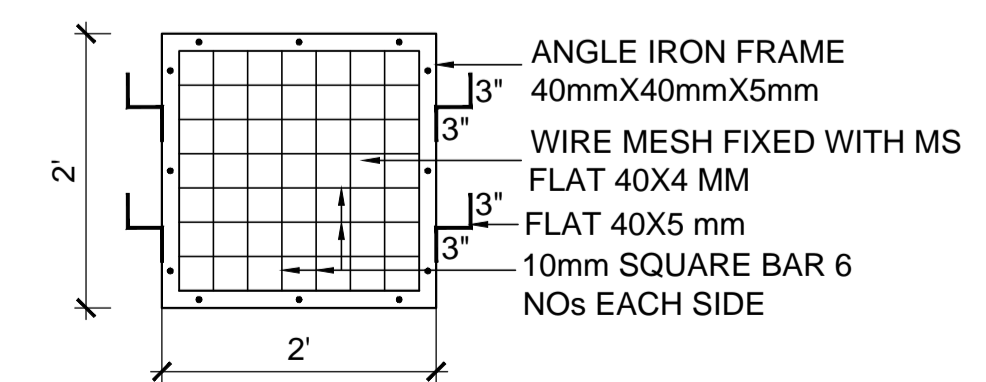
TOP WINDOW GRILL 5'X2'



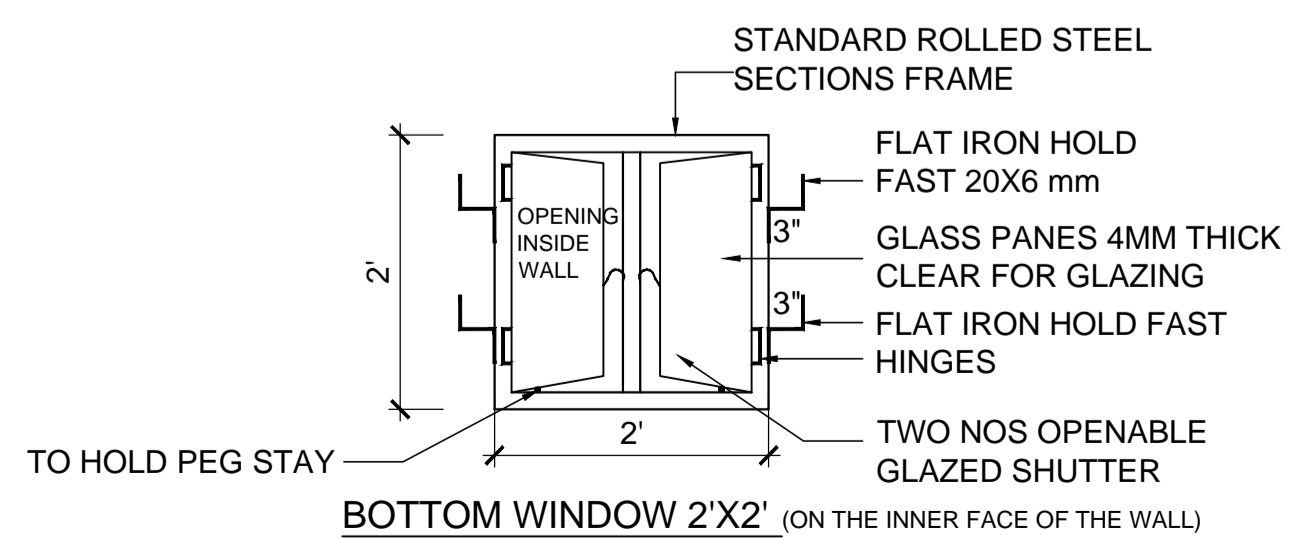
TOP WINDOW 5'X2' (ON THE INNER FACE OF THE WALL)



GLAZING FRAME FOR GABLE WALL



BOTTOM WINDOW GRILL 2'X2'



BOTTOM WINDOW 2'X2' (ON THE INNER FACE OF THE WALL)

- NOTE:**
- CENTER LINE DIMENSION GIVEN OF THE DRAWING SHALL BE MAINTAINED WHILE MAKING ADJUSTMENT FOR 9" TH. BRICK WALL.
  - THE WIDTH OF THE PLATFORM SHALL BE FROM THE FACE OF THE COLUMN TO THE NOSING OF THE PLATFORM.
  - RCC BAND SHOULD BE PROVIDED ON THE WALLS AS/DETAIL.
  - STEEL GATE SHOULD BE PROVIDED AS SHOWN IN DRAWING DETAIL.

| SCHEDULE OF DOORS & WINDOWS |  |       |        |
|-----------------------------|--|-------|--------|
| S.NO.                       | DESCRIPTION  | WIDTH | HEIGHT |
| 1.                          | STEEL GATE   | 6'-0" | 8'-0"  |
| 2.                          | STEEL WINDOW   | 2'-0" | 2'-0"  |
| 3.                          | STEEL VENTILATOR (OPENABLE)  | 5'-0" | 2'-0"  |
| 4.                          | STEEL VENTILATOR (FIXED) WITH POLYCARBONATE SHEET (FIXED) FOR GABLE WALL | 5'-0" | 4'-0"  |
| 5.                          | IRON GRILL WITH WIREMESH   | 2'-0" | 2'-0"  |
| 6.                          | WIREMESH DOOR SHUTTER  | 6'-6" | 8'-6"  |

- NOTE:**
- LENGTH OF COMPARTMENT 136' CONVENTIONAL
  - WIDTH OF GODOWN (i) FOR 48' & 58' GODOWN WITH ROAD ON ONE SIDE
  - (ii) FOR 70' & 90' GODOWN WITH ROAD ON BOTH SIDE AND ROAD WIDTH 50'-0" BETWEEN GODOWN TO GODOWN
  - PLATFORM WIDTH : MINIMUM 3' & MAXIMUM 8' AS PER SITE CONDITION

REVISED ON 07-11-2012/02-12-2016



**HARYANA STATE WAREHOUSING CORPORATION**

DETAILED DRG OF STEEL GATE, WIRE MESH GATE / SLIDING WINDOW, VENTILATORS, GLAZED WINDOW & VER TRUSSES

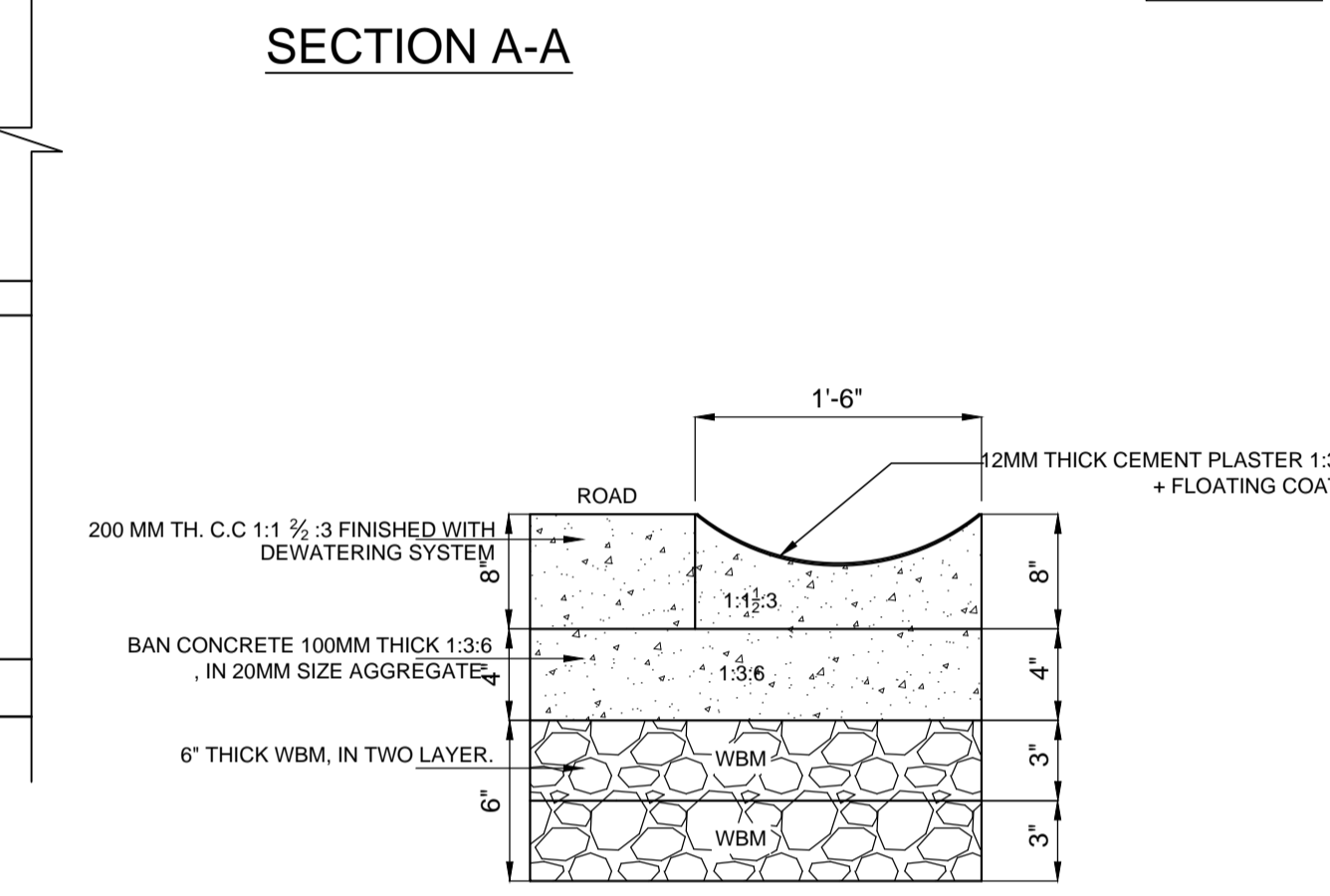
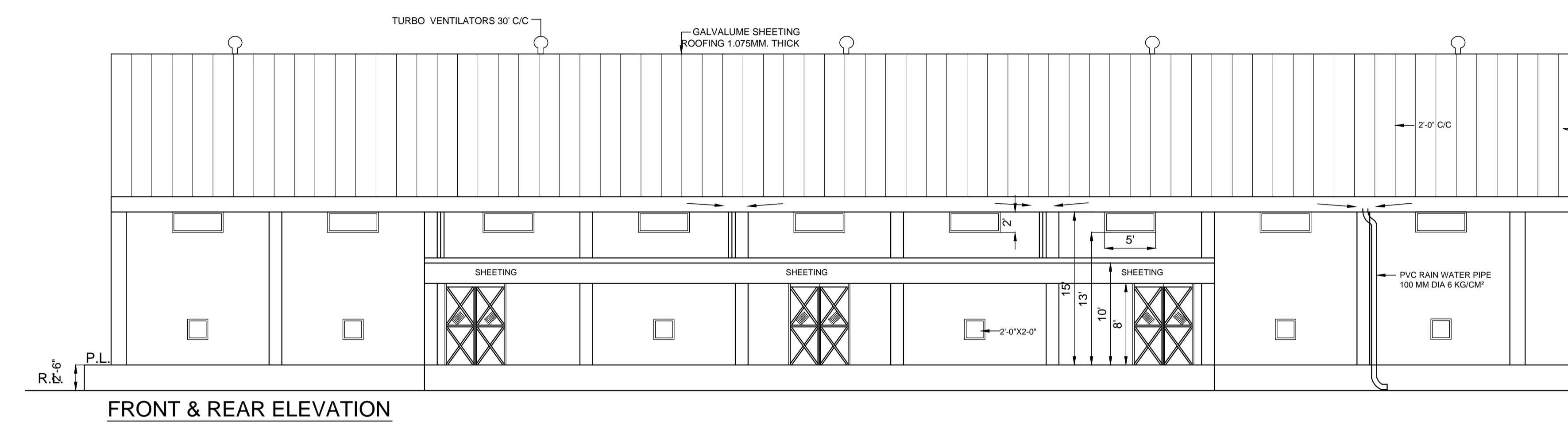
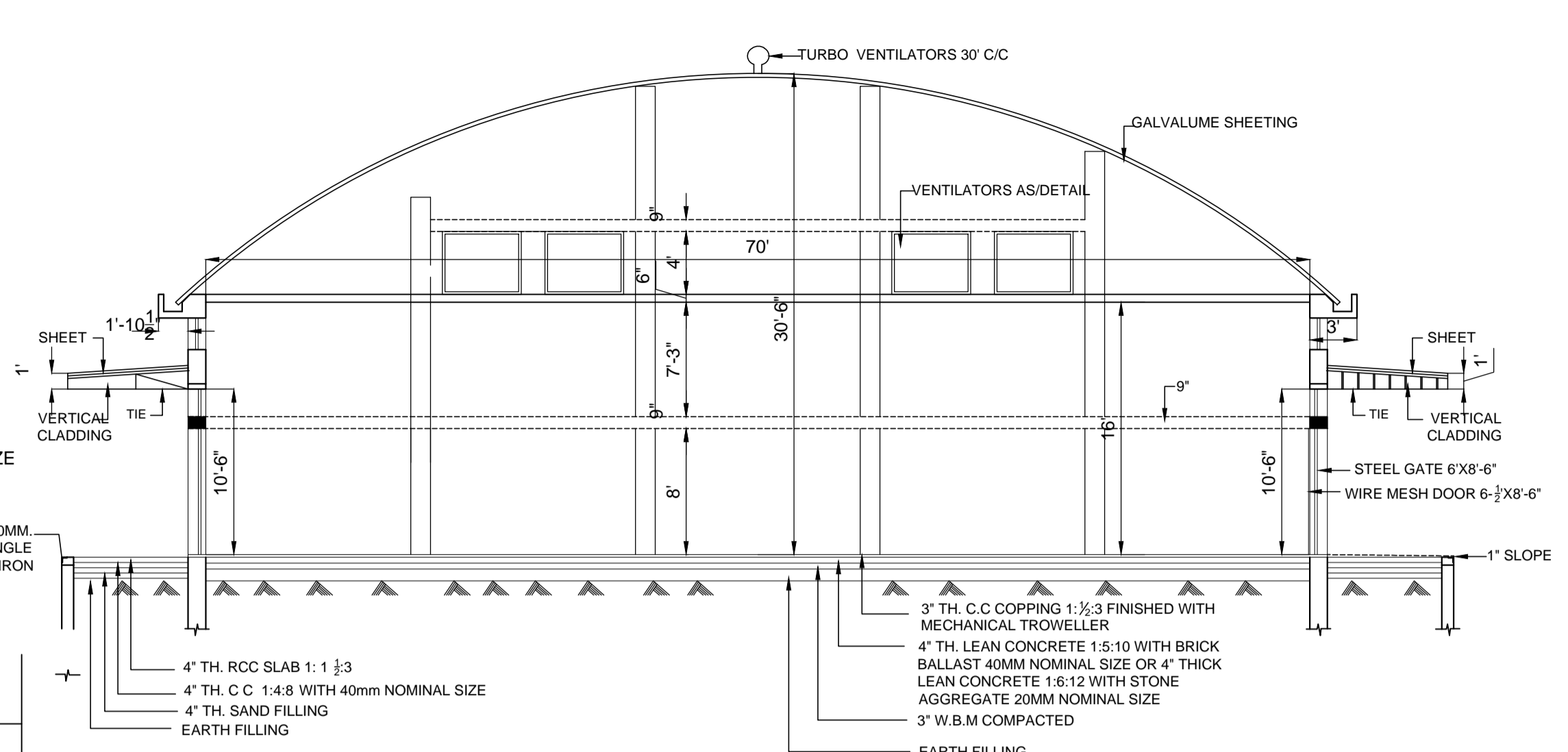
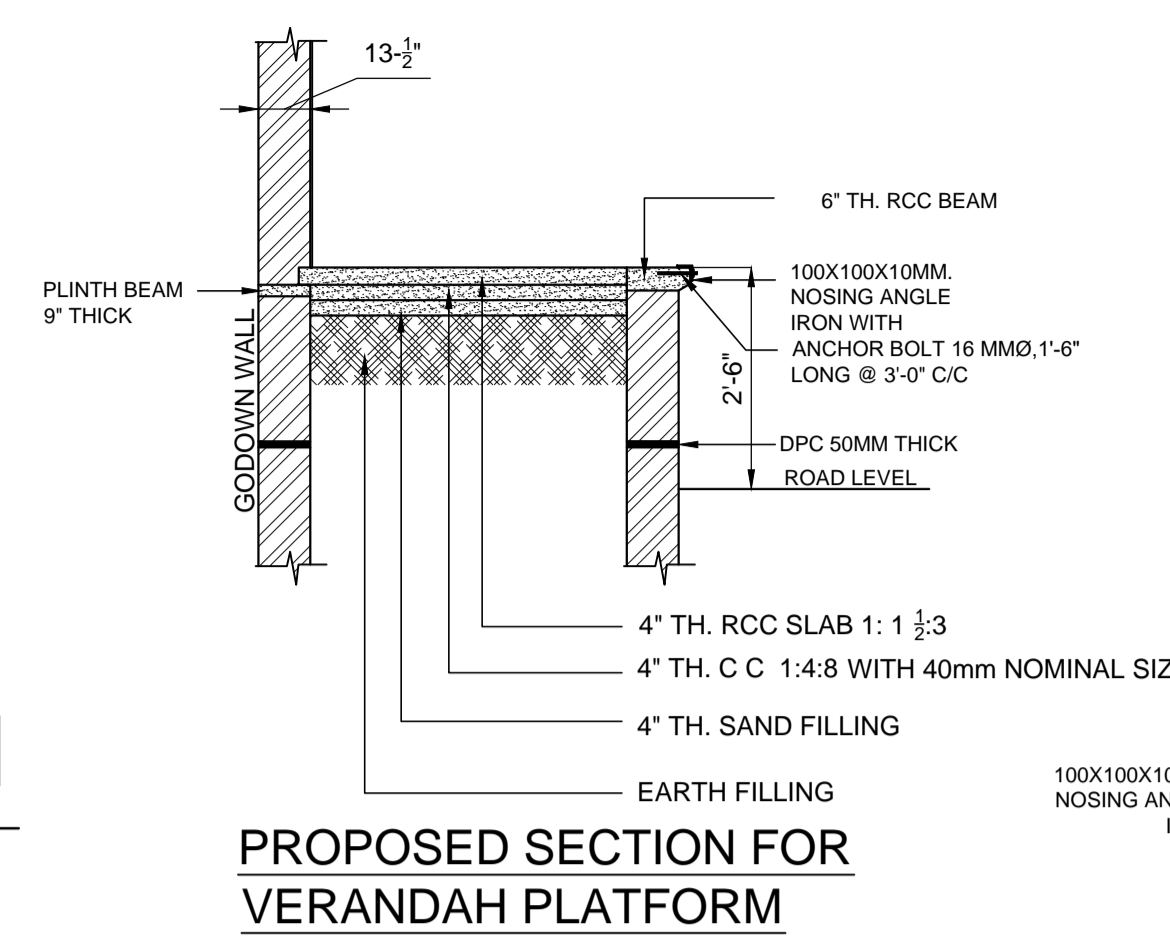
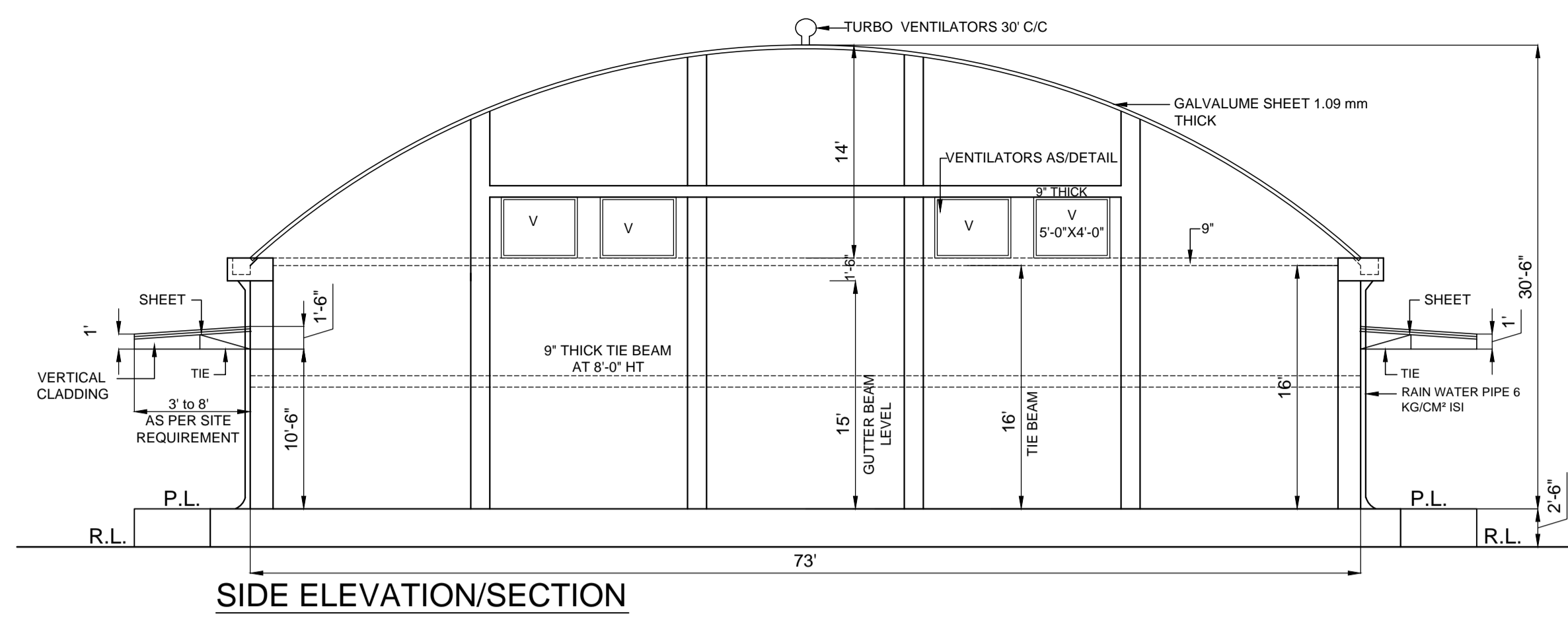
DRAWN BY  
**RAGHUBIR SINGH HDM**

OFFICE OF THE  
EXECUTIVE ENGINEER  
**VANEET CHAWLA**

CHECKED BY  
**LOVLEEN SDE, H.O.**

SCALE  
**1/8" = 1'-0"**

DRAWING  
No.3



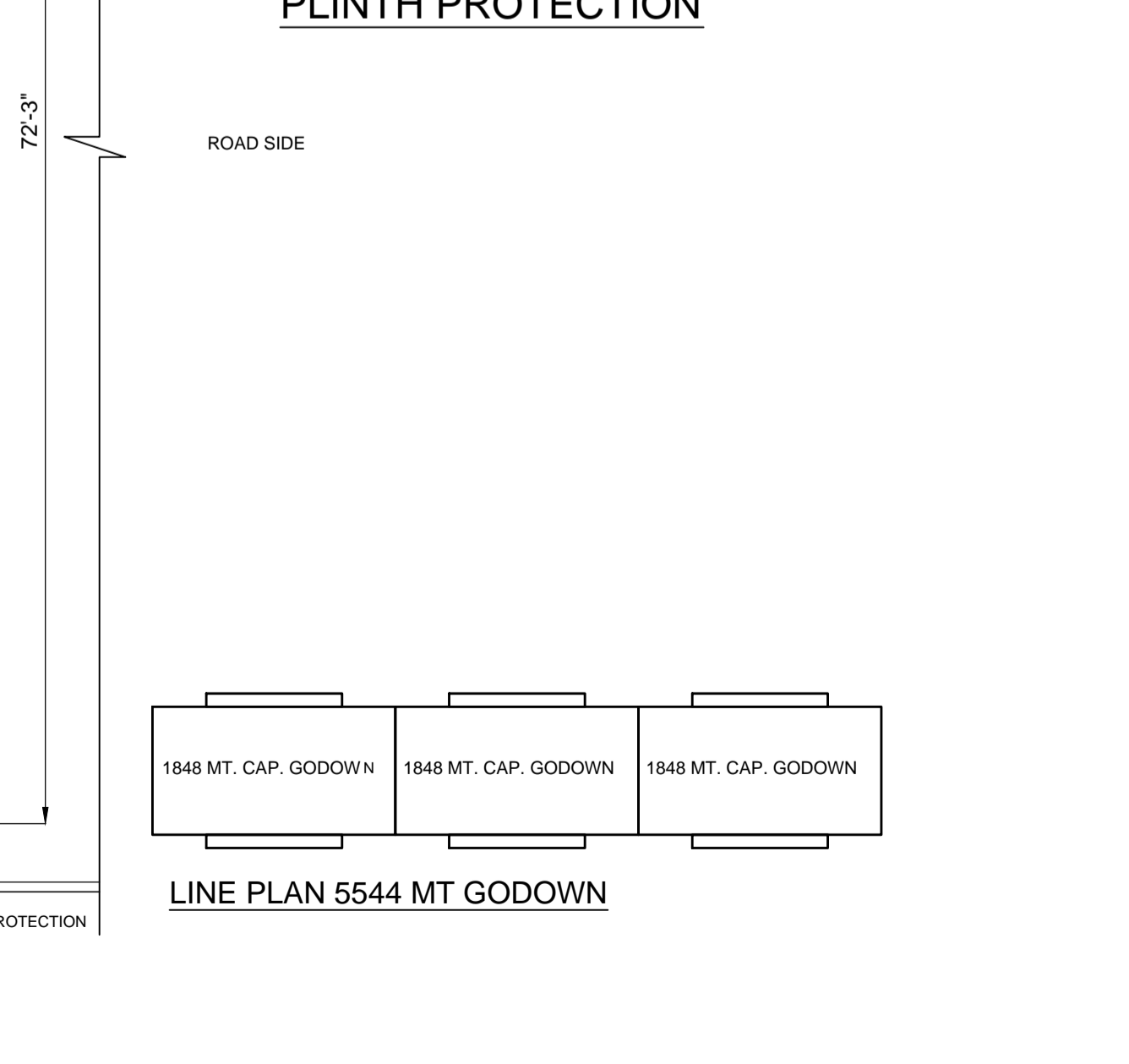
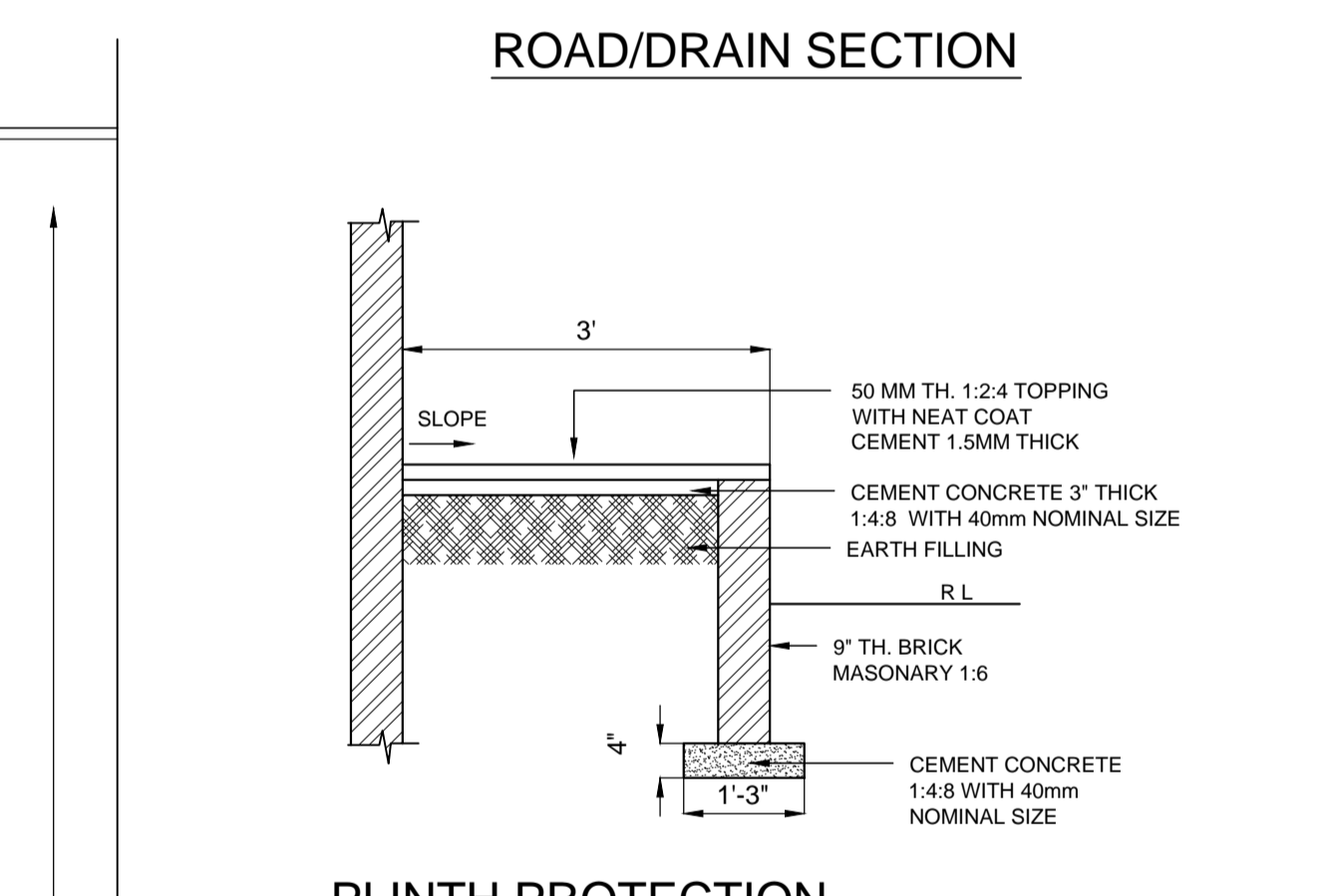
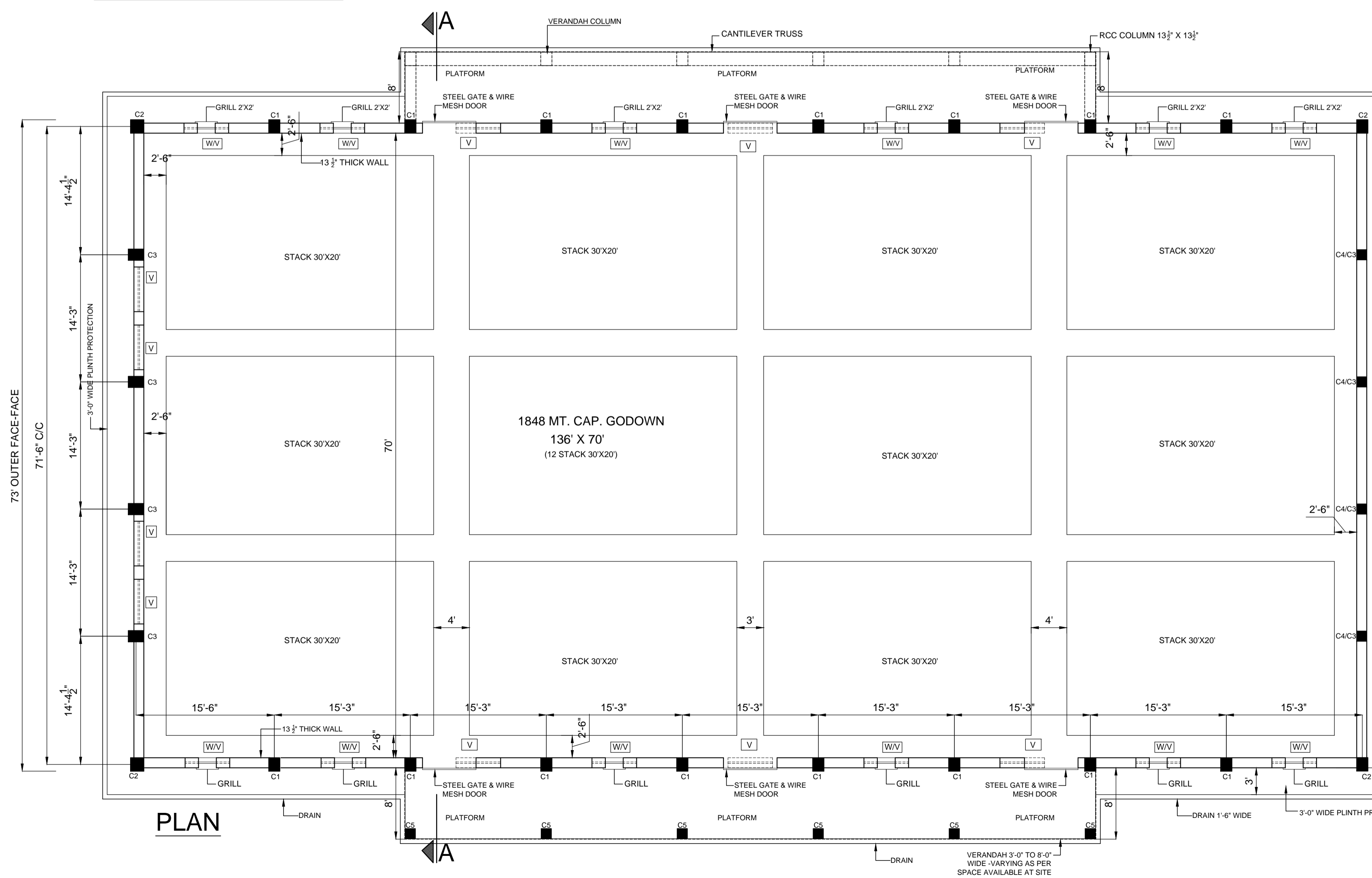
**NOTE:**

- CENTER LINE DIMENSION GIVEN OF THE DRAWING SHALL BE MAINTAINED WHILE MAKING ADJUSTMENT FOR 9" TH. BRICK WALL
- THE WIDTH OF THE PLATFORM SHALL BE FROM THE FACE OF THE COLUMN TO THE NOSING OF THE PLATFORM.
- RCC BAND SHOULD BE PROVIDED ON THE WALLS AS/DETAIL.
- STEEL GATE SHOULD BE PROVIDED AS SHOWN IN DRAWING DETAIL.
- WIRE MESH DOOR SHOULD BE PROVIDED (AS PER DRAWING)
- STEEL VENTILATOR WITH POLYCARBONATE SHEET BE PROVIDED (AS PER DETAIL)


| SCHEDULE OF DOORS & WINDOWS |  |       |        |
|-----------------------------|--|-------|--------|
| S.NO.                       | DESCRIPTION  | WIDTH | HEIGHT |
| 1.                          | STEEL GATE   | 6'-0" | 8'-0"  |
| 2.                          | STEEL WINDOW   | 2'-0" | 2'-0"  |
| 3.                          | STEEL VENTILATOR (OPENABLE)                                      | 5'-0" | 2'-0"  |
| 4.                          | STEEL VENTILATOR WITH POLYCARBONATE SHEET (FIXED) FOR GABLE WALL | 5'-0" | 4'-0"  |
| 5.                          | IRON GRILL WITH WIREMESH   | 2'-0" | 2'-0"  |
| 6.                          | WIREMESH DOOR SHUTTER  | 6'-6" | 8'-6"  |

**NOTE:**

- LENGTH OF COMPARTMENT 136' CONVENTIONAL
- WIDTH OF GODDOWN (i) FOR 48' & 58' GODDOWN WITH ROAD ON ONE SIDE  
(ii) FOR 70' & 90' GODDOWN WITH ROAD ON BOTH SIDE AND ROAD WIDTH 50'-0" BETWEEN GODDOWN TO GODDOWN
- PLATFORM WIDTH: MINIMUM 3' & MAXIMUM 8' AS PER SITE CONDITION
- PLATFORM LENGTH:  
1000MT 90' (INSIDE LENGTH OF GODDOWN) — 47'-0"  
1920MT 136' (INSIDE LENGTH OF GODDOWN) — 77'-6"  
2400MT 166'-6" (INSIDE LENGTH OF GODDOWN) — 108'-0"  
2880MT 197'-0" (INSIDE LENGTH OF GODDOWN) — 138'-6"
- SIZE OF RCC COLUMN  
C1: 15"X18"  
C2: 18"X21"  
C3: 15"X21"  
C4: 13 1/2"X13 1/2"  
C5: 13 1/2"X13 1/2"
- SIZE OF VERANDAH PLATFORM COLUMN  
C5: 13 1/2"X13 1/2"



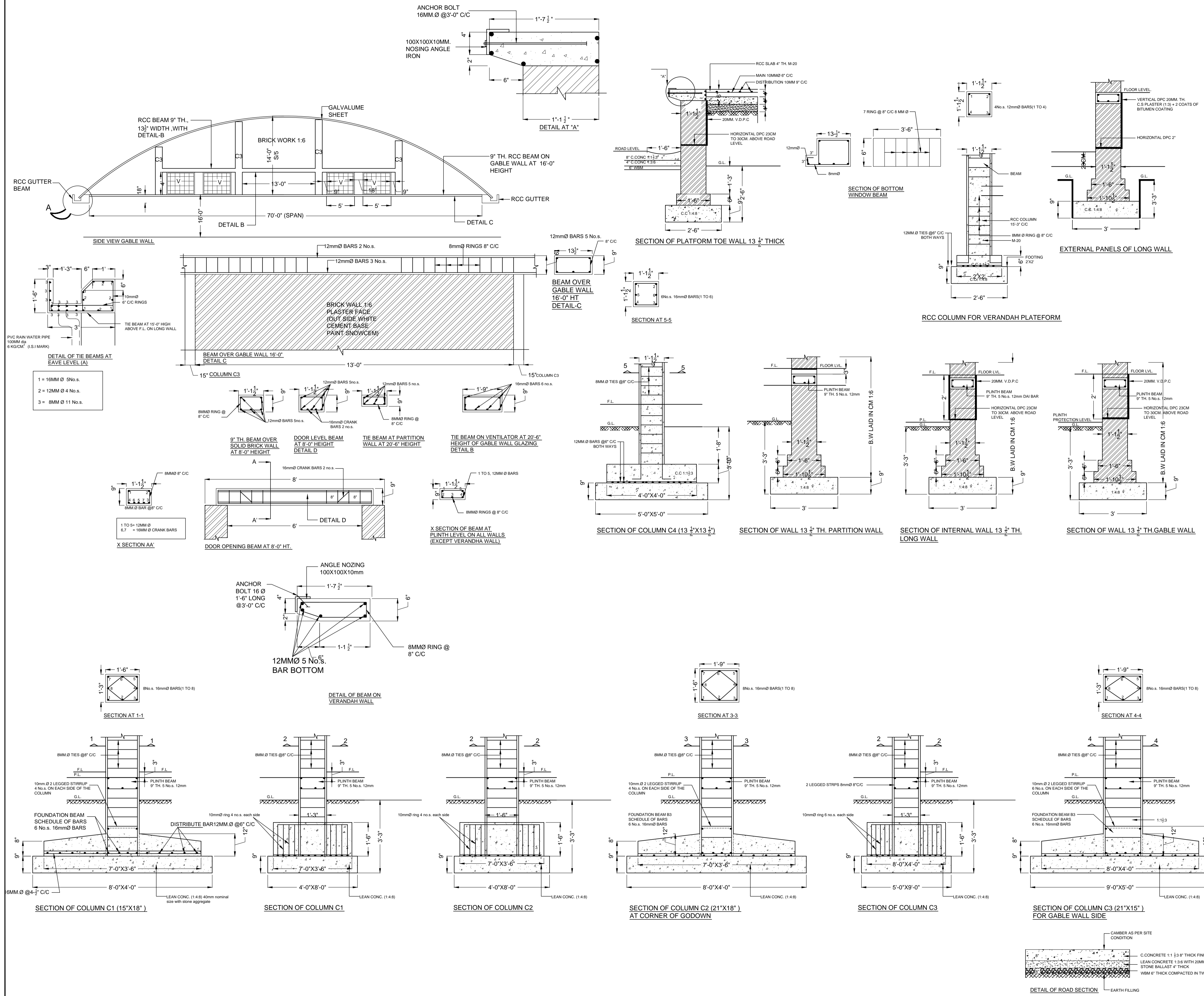
REVISED ON 07-11-2012/02-12-2016



**HARYANA STATE WAREHOUSING CORPORATION**

PROP. PLAN OF 12 STACK FOR 1848MTS, GODOWN

|  |  |
|--|--|
| DRAWN BY<br><b>RAGHUBIR SINGH HDM</b>  | OFFICE OF THE EXECUTIVE ENGINEER<br><b>VANEET CHAWLA</b> |
| CHECKED BY<br><b>LOVLEEN SDE, H.O.</b> | SCALE<br><b>1/8" = 1'-0"</b>                             |
|  | DRAWING<br>No.2  |



- NOTE:**
1. DIMENSIONS ARE TO BE READ & NOT TO SCALE.
  2. THE GROSS BEARING CAPACITY OF THE SOIL HAS BEEN TAKEN AS 1.00 T/SFT WHICH SHOULD BE ENSURED AT SITE.
  3. THE CUBE STRENGTH OF CONCRETE SHOULD NOT BE LESS THAN REQUIRED FORM20. AFTER 28 DAYS CURING MINIMUM MIXTURE OF C.C 1:1 1/2:3 SHALL BE (M 20).
  4. THE CLEAR COVER FOR RCC WORK IN FOUNDATION & COLUMN = 1 1/2" & FOR BEAM 1".
  5. IF THE DIA OF MAIN BAR IS TO BE CHANGED IN FIELD USED EQUIVALENT AREA WHERE SMALLER DIA IS PROVIDED & EQUIVALENT PER METER WHERE BIGGER DIA IS ADOPTED.
  6. RCC BAND IS TO BE PROVIDED OVERALL WALL OF GODOWN AS UNDER:-
    - i) PLINTH BEAM (ALL WALL) = 9" THICK.
    - ii) BEAM AT DOOR LEVEL I.E. 8' HEIGHT (ALL WALL) = 9" THICK.
    - iii) GUTTER BEAM LONG WALL 15'-0" ABOVE FLOOR LEVEL = 1'-6" THICK.
    - iv) GABLE WALL BEAM AT 16' HEIGHT = 6" THICK.
    - v) BEAM ON VENTILATOR (GABLE WALL) 20'-6" HEIGHT = 9" THICK.
    - vi) BEAM FOR PARTITION WALL AT 20'-6" HEIGHT = 9" THICK.
  7. IF ANY DISCREPANCY IN DRG. IS NOTED, THE SAME MAY BE REFERRED TO THE H.O. FOR RECTIFICATION.
  8. PLINTH LEVEL WILL BE 2'-6" FROM ROAD LEVEL.

REVISED ON 07-11-2012/02-12-2016



**HARYANA STATE WAREHOUSING CORPORATION**

REVISED DETAIL OF FOUNDATION FOR GODOWN

**DRAWN BY**  
RAGHUBIR SINGH HDM

**OFFICE OF THE EXECUTIVE ENGINEER**  
VANEET CHAWLA

**CHECKED BY**  
LOVLEEN SDE, H.O.

**SCALE**  
1/8" = 1'-0"

**DRAWING No.**  
1

